

Clarke®

STRONG-ARM



HIGH LIFT PALLET TRUCKS

MODEL NO: HLPT550 & HLPT685

PART NO: 7630180 & 7630185

OPERATION & MAINTENANCE INSTRUCTIONS

UK
CA | CE

ORIGINAL INSTRUCTIONS

GC01/23 Rev 5

INTRODUCTION

Thank you for purchasing this CLARKE High Lift Pallet Truck. This truck is designed to raise and lower awkward or heavy loads to an operating height where they may be handled with relative ease, avoiding the risk of injury which might otherwise occur if manhandling the load to the same height.

Before attempting to use this product, please read this manual thoroughly and follow the instructions carefully. In doing so you will ensure the safety of yourself and that of others around you and you can look forward to your purchase giving you long and satisfactory service.

The operator / operating company has to ensure the correct use and that this pallet truck is used only by staff who are trained and authorized to use it.

CONTENTS

- 1 x Pallet Truck Assembly
- 1 x Handle Assembly
- 1 x Fixings Kit (3 x Screws & 3 x Spring Washers)
- 1 x Owners Manual (this document)

GUARANTEE

This product is guaranteed against faulty manufacture for a period of 12 months from the date of purchase. Please keep your receipt which will be required as proof of purchase.

This guarantee is invalid if the product is found to have been abused or tampered with in any way, or not used for the purpose for which it was intended.

Faulty goods should be returned to their place of purchase, no product can be returned to us without prior permission.

This guarantee does not effect your statutory rights.

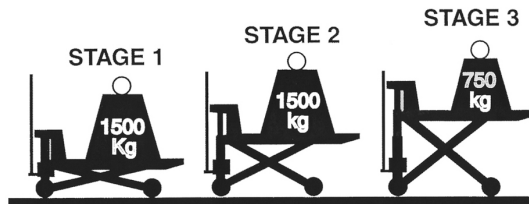
SAFETY INSTRUCTIONS



WARNING: THE TRUCK HAS TO BE USED ON SUBSTANTIALLY FIRM, SMOOTH, LEVEL AND PREPARED SURFACES. THE LOAD MUST BE PLACED CENTRALLY ON THE FORKS.

The operator should read all warning signs and instructions here and on the pallet truck before use.

1. Examine the condition of the pallet truck before use, with particular attention to the wheels, handle, forks and lift/lower controls. DO NOT use the pallet truck if any defects are found.
2. DO NOT operate a hand pallet truck unless you are familiar with it and have been trained or authorized to do so.
3. DO NOT make any changes or modifications to the pallet truck.
4. DO NOT use if the wheels or rollers are damaged. Have them replaced immediately.
5. Keep the work area tidy and well lit.
6. Keep children and bystanders away from the work area.
7. DO NOT exceed the capacity of the pallet truck. Refer to the labelling on the pallet truck and the Product Specification section in this manual.



MAX. LOAD

8. DO NOT use on rough terrain. The pallet truck is designed for use on smooth flooring only.
9. DO NOT use the pallet truck on a gradient if the load is too heavy to be easily handled by the operator. The pallet truck must not be used by anyone not capable of handling the full weight of the truck when loaded.
10. Watch for differences in the floor levels when moving the truck. The load may overbalance or the truck could become uncontrollable.
11. DO NOT let the pallet truck come into direct contact with food.

12. DO NOT use the truck in explosive atmospheres.
13. The operator must wear safety shoes and gloves.
14. DO NOT allow personnel other than the operator to stand in front of or behind the truck when it is moving or lifting/lowering.
15. DO NOT put your foot in front of rolling wheels. Injury could result.
16. DO NOT use the pallet truck as a jack.
17. Ensure nothing is beneath the pallet truck forks prior to lowering, especially anyone's feet.
18. Load the pallet truck evenly with the centre of gravity of the load above the centre of the forks. DO NOT move unstable or loosely stacked loads. Use extra care when moving long, tall or wide loads which impair your view.
19. Keep watching the load and stop if the load becomes unstable.
20. When not in use, always make sure that the truck is stored where it is not a danger to others. DO NOT leave the truck on a gradient without first securely chocking the wheels.
21. Carry out maintenance work according to the "Troubleshooting" on page 10.
22. This pallet truck is not designed to be water resistant, therefore use it in a dry environment.

ENVIRONMENTAL PROTECTION

DO NOT dispose of this product or its packaging with general household waste. All tools, accessories and packaging should be sorted, taken to a recycling centre and disposed of appropriately.

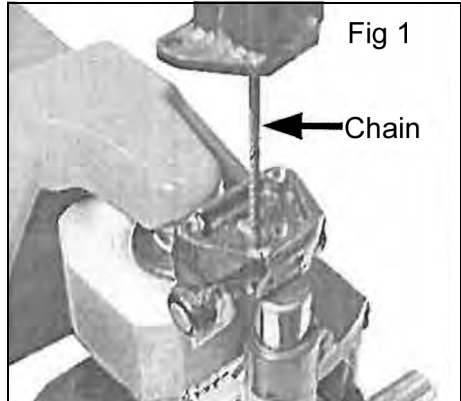
To avoid pollution due to oil leakage the user should provide some absorbent materials to capture any escape of oil during refilling of the hydraulic mechanism. Such materials should then be disposed of appropriately.

If disposing of this product or any damaged components, do not dispose of with general waste. This product contains valuable raw materials. Metal products should be taken to your local civic amenity site for recycling of metal products.

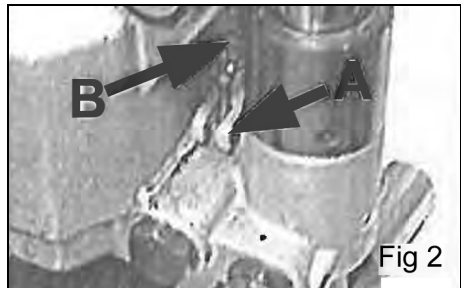
ASSEMBLY

After unpacking it is necessary to attach the handle assembly as follows:

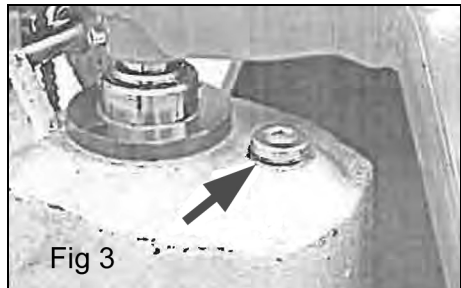
1. Lower the chain through the hole in the handle bracket, so that it emerges at the bottom of the housing as shown in Fig 1.
2. Secure the handle to the base bracket with the three socket headed screws and spring washers provided.



3. Raise the end of the forked lever shown at A (Fig 2), against the spring pressure using a screwdriver or similar, and slide the threaded rod attached to the end of the chain, between the forks, so that the locknut, screwed onto the threaded rod, locates behind the claws on the underside of the forks. Release the forked lever.



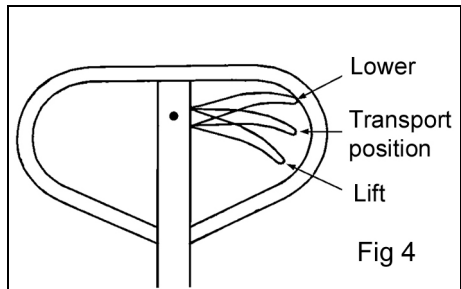
4. Remove the travel plug from the oil filler orifice and replace it with the plug arrowed in Fig 3, which is found in the loose polythene bag.
 - Your pallet truck is now fully assembled. However, before use, it is **IMPORTANT** to check the following adjustments.



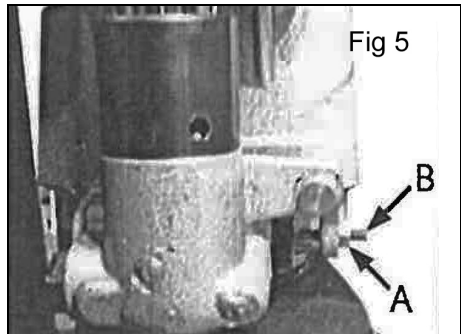
ADJUSTMENT

The control lever has three positions shown and indicated by the label on the handle.

- With the lever pulled to the upper position, the forks will lower.
- The middle position allows the load to be transported.
- The lower position will cause the forks to lift when the handle is pumped.



1. Set the control lever to its lowest position (i.e. Lever in its LIFT position).
2. Check to ensure there is no tension on the chain. If necessary, adjust the locknut on the threaded rod attached to the end of the chain, until the free movement on the end of the control lever, when in its lowest position is approx 1/4".



3. Pump the handle and then lower to test its operation.
4. If the forks rise but lower immediately you stop pumping or only lift slowly, slacken the locknut 'A' and screw the adjuster 'B' anticlockwise half a turn as shown in Fig 5 and try again.
5. If the forks do not lower when the control handle is in the LOWER position, turn the adjusting screw (A) in clockwise until the handle lowers the forks. Tighten locknut 'B'. Check it's operation in the TRANSPORT position.

OPERATION

BEFORE USE

Before using the pallet truck always read the safety instructions in this manual.

The rated capacity of the truck assumes an evenly distributed load with it's centre being at the halfway point along the length of the forks.

With the forks in the lowest position, manoeuvre the truck so that it is adjacent to the pallet. Ensure the length of the forks match the length of the pallet.

Always position the pallet truck carefully, ensuring the load is centred about the forks and is completely stable. Ensure there is no obstruction before raising the load, or that the load cannot foul the truck mechanism when raised.

Lower the forks to the lowest height when the truck is not being used.

When lowering the truck with the forks loaded, pull the control lever up carefully and gradually so that the load descends under complete control.

Daily inspection is advisable to find any defect of the pallet truck. Check the following points before operation.

- Visually check for structural damage and listen for any unusual noise or binding of the lifting mechanism.
- Check if there is any oil leakage.
- Raise/lower the forks to check for vertical creep of the lifting mechanism.
- Check for any damage to the wheels and ensure they rotate smoothly.
- Check that all the bolts and nuts are tight.
- Verify that all warning labels are in place.



WARNING: DO NOT USE THE PALLET TRUCK IF ANY DEFECT IS FOUND.

LIFTING

1. Check that the load does not exceed the rated capacity of the truck.
2. Roll the pallet truck with its forks slowly under the pallet/load until the back end of the fork rests against the load.
3. Move the operating lever down to the 'Lifting' position. Lift the load by moving the handle assembly up and down.

- The load must be evenly distributed across both forks.
- DO NOT OVERLOAD.

MOVING

1. Ensure the control lever is in its middle (transport) position.
2. Move the truck using the handle assembly.
3. DO NOT operate the truck on a slope.
4. Watch for differences in the floor level when moving the pallet truck.
5. Make sure that the load is stable.
6. If the pallet truck is moving, DO NOT turn the handle at a right angle to stop the pallet truck.

LOWERING

1. Lower the load by moving the operating lever up to the lowering position carefully.
 - By releasing the lever, the lowering movement will stop.
2. Ensure there is adequate clearance behind you when withdrawing the forks from the pallet.
3. DO NOT put your foot or hand under the lifting components.

PARKING

When parking the pallet truck, lower the forks to the lowest position and park on smooth, level ground where it is not an obstruction. If the ground is not flat, chock the wheels to stop it moving.

MALFUNCTIONS

If there is any malfunction stop using the truck until it is repaired by your local CLARKE dealer.

CARE & MAINTENANCE

Whilst the pallet truck requires very little maintenance, the following care can be expected.

PURGING AIR FROM THE HYDRAULIC SYSTEM

If the pallet truck has been transported over any distance or has been overturned at any time, air may have entered the hydraulic system. This will make it impossible to raise the forks under load.

1. Hold the control handle in the 'lower' position.
2. Move the handle up and down several times.

CHECKING THE OIL

1. Check for any oil leaks and top up if necessary at the filler plug.
 - The capacity is approximately 0.22 litre.
 - The recommended type is L-Hydraulic 32 oil, provided the truck is not to be used outside the temperature range of -20°C to +40°C.

PRODUCT SPECIFICATION

	HLPT550	HLPT685
Width to outside of the forks	550 mm	685
Fork Length	1150 mm	
Gap between the forks.	230 mm	365 mm
Fork width	160 mm	
Maximum Capacity	1500kg	
Weight	100 kg	110 kg
Entry options	4	2
Min/max lifting height (mm)	85-820 mm	

Please note that the details and specifications contained herein, are correct at the time of going to print. However, CLARKE International reserve the right to change specifications at any time without prior notice.

TROUBLESHOOTING

PROBLEM	CAUSE	ACTION
The forks cannot be raised to the max height	Hydraulic oil is low	Top up oil.
	The oil is contaminated with moisture.	Change the oil.
	The chain adjustment for the operating lever is incorrect	Adjust the chain nut or screw
	Air in the hydraulic system.	Purge air from the hydraulic system.
The forks cannot be lowered	The piston rod is deformed resulting from load slanting to one side or over loading.	Replace the piston rod or return to CLARKE dealer for overhaul.
	The fork was kept in the raised position for long time with the piston rod exposed to dampness which caused rusting and jamming of the rod.	Keep the fork in the lowest position when not in use and lubricate the piston rod.
	The chain adjustment for the operating lever is incorrect	Adjust the chain nut or screw
Oil leaks from the ram	Oil seals are worn or damaged.	Replace or return to CLARKE dealer for overhaul.
The forks lower on their own.	Impurities in the oil cause the release valve to remain open.	Replace with the new oil.
	Leaks in the hydraulic system.	Return to CLARKE dealer for overhaul.
	Air in the hydraulic system.	Purge air from the hydraulic system.
	The chain adjustment for the operating lever is incorrect	Adjust the chain nut or screw

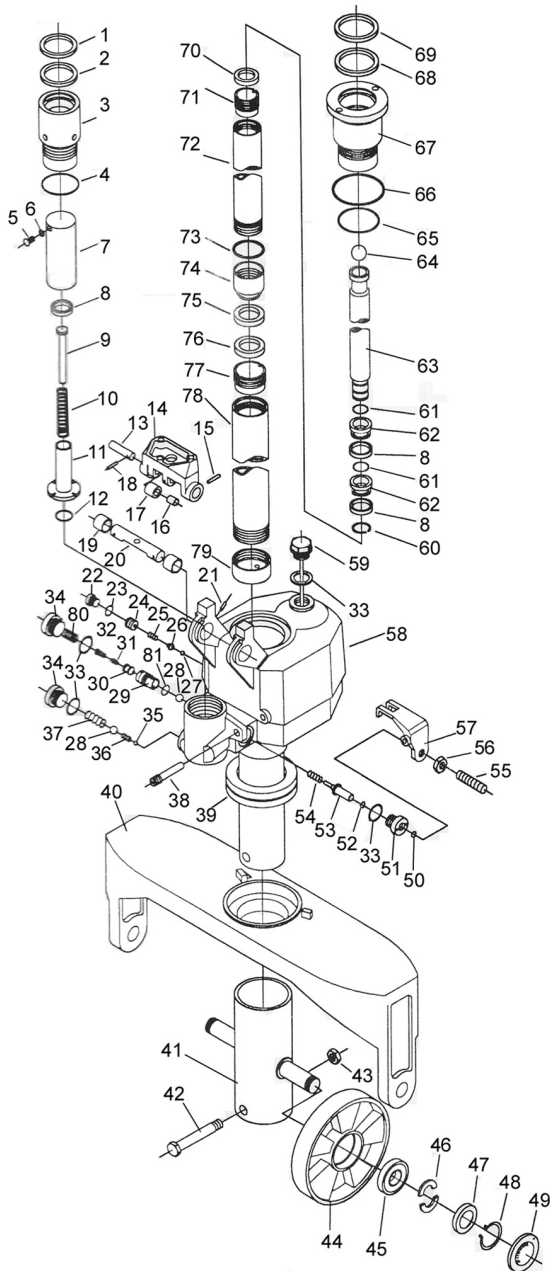
Do not attempt to repair the pallet truck unless you are trained or authorized to do so.

COMPONENT PARTS - PUMP

No	Description
1	Dust ring
2	O-ring
3	Cylinder
4	O-ring
5	Screw
6	Washer
7	Plunger
8	O-ring
9	Mandrell
10	Spring
11	Plunger
12	O-ring
13	Shaft
14	Pressure frame
15	Pin
16	Bush
17	Roller
18	Pin
19	Bush
20	Shaft
21	Pin
22	Screw
23	Washer
24	Screw
25	Spring
26	Spring seat
27	Steel Ball
28	Steel Ball
29	Valve seat
30	Valve seat

No	Description
31	Valve spindle
32	Spring
33	Washer
34	Screw
35	Steel ball
36	Spring
37	Spring
38	Pin
39	Bearing
40	Supporting base
41	Wheel housing
42	Bolt
43	Nut
44	Wheel
45	Bearing
46	Half spacer
47	Washer
48	Circlip
49	Dust cover
50	O-ring
51	Valve sleeve
52	O-ring
53	Striker pin
54	Spring
55	Adjusting screw
56	Nut
57	Lever plate
58	Base
59	Oil filler cap
60	Circlip

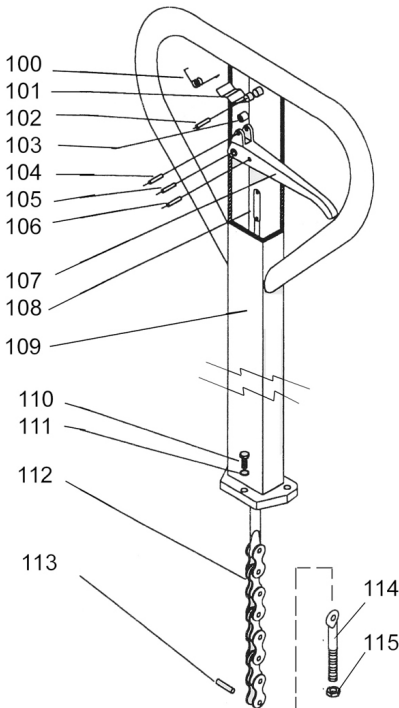
COMPONENT PARTS - PUMP



No	Description
61	Washer
62	Bush
63	Piston rod
64	Steel ball
65	O-ring
66	O-ring
67	Cylinder liner
68	Sealing ring
69	Dust ring
70	Dust ring

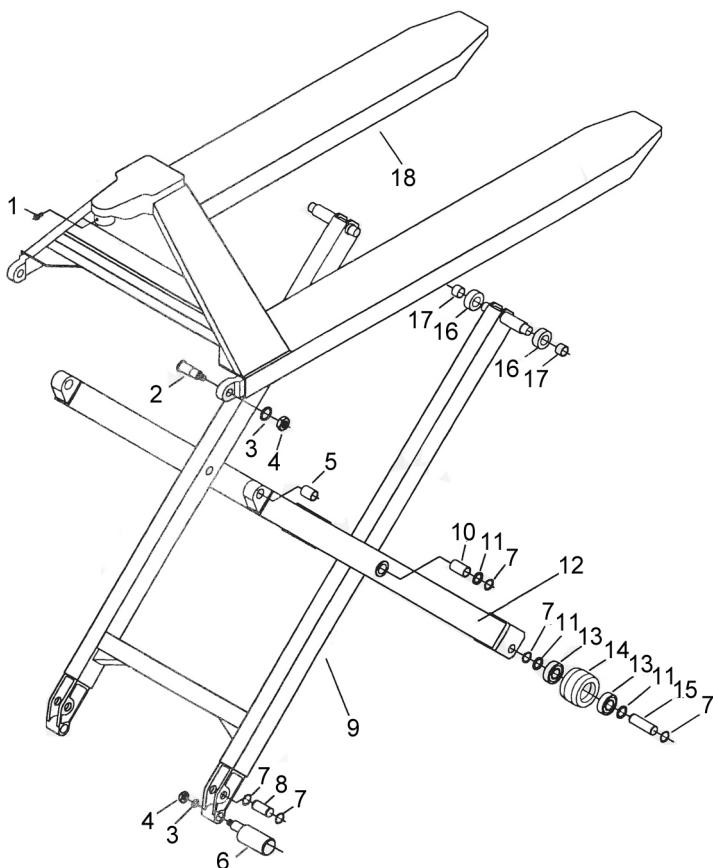
No	Description
71	Bush
72	Cylinder
73	O-ring
74	Bush
75	Seal
76	Dust ring
77	Plug
78	Cylinder tube
79	End cap
80	Insert

COMPONENT PARTS - HANDLE ASSEMBLY



No	Description
100	Spring
101	Spring blade
102	Roller
103	Roll pin
104	Roll pin
105	Roll pin
106	Roll pin
107	Control handle
108	Pull rod
109	Handle column
110	Screw
111	Lock washer
112	Chain
113	Securing pin
114	Adjusting screw
115	Nut

COMPONENT PARTS - FORKS & FRAME



No	Description
1	Screw
2	Bolt
3	Washer
4	Nut
5	Bush
6	Foot
7	Circlip
8	Pin
9	Prop Arm

No	Description
10	Bush
11	Washer
12	Support Arm
13	Bearing
14	Wheel
15	Spindle
16	Roller
17	Bush
18	Fork Frame

DECLARATION OF CONFORMITY - UK (HLPT550)



Hemnall Street, Epping, Essex CM16 4LG

DECLARATION OF CONFORMITY

This is an important document and should be retained.

We hereby declare that this product(s) complies with the following statutory requirement(s):

Supply of Machinery (Safety) Regulations 2008

The following standards have been applied to the product(s):

EN ISO 3691-5:2015 + A1:2020, EN ISO 12100:2010, EN 16307-5:2013

The technical documentation required to demonstrate that the product(s) meet(s) the requirement(s) of the aforementioned legislation has been compiled and is available for inspection by the relevant enforcement authorities.

The UKCA mark was first applied in: 2022

Product Description: 1 ½ Tonne High Lift Pallet Truck (Narrow)
Model number(s): HLPT550
Serial / batch Number: N/A
Date of Issue: 02/12/2022

Signed:

J.A. Clarke
Director

DECLARATION OF CONFORMITY - CE (HLPT550)



Clarke[®]
INTERNATIONAL

Fitzwilliam Hall, Fitzwilliam Place, Dublin 2

DECLARATION OF CONFORMITY

This is an important document and should be retained.

We hereby declare that this product(s) complies with the following directive(s):

2006/42/EC Machinery Directive

The following standards have been applied to the product(s):

EN ISO 3691-5:2015 + A1:2020, EN ISO 12100:2010, EN 16307-5:2013

The technical documentation required to demonstrate that the product(s) meet(s) the requirement(s) of the aforementioned directive(s) has been compiled and is available for inspection by the relevant enforcement authorities.

The CE mark was first applied in: 2009

Product Description: 1 ½ Tonne High Lift Pallet Truck (Narrow)
Model number(s): HLPT550
Serial / batch Number: N/A
Date of Issue: 02/12/2022

Signed:

J.A. Clarke
Director

DECLARATION OF CONFORMITY - (UK) HLPT685



Clarke[®]
INTERNATIONAL

Hemnall Street, Epping, Essex CM16 4LG

DECLARATION OF CONFORMITY

This is an important document and should be retained.

We hereby declare that this product(s) complies with the following statutory requirement(s):

Supply of Machinery (Safety) Regulations 2008

The following standards have been applied to the product(s):

EN ISO 3691-5:2015 + A1:2020, EN ISO 12100:2010, EN 16307-5:2013

The technical documentation required to demonstrate that the product(s) meet(s) the requirement(s) of the aforementioned legislation has been compiled and is available for inspection by the relevant enforcement authorities.

The UKCA mark was first applied in: 2022

Product Description: 1 ½ Tonne High Lift Pallet Truck (Wide)
Model number(s): HLPT685
Serial / batch Number: N/A
Date of Issue: 02/12/2022

Signed:

J.A. Clarke
Director

DECLARATION OF CONFORMITY - (CE) HLPT685



Clarke[®]
INTERNATIONAL

Fitzwilliam Hall, Fitzwilliam Place, Dublin 2

DECLARATION OF CONFORMITY

This is an important document and should be retained.

We hereby declare that this product(s) complies with the following directive(s):

2006/42/EC Machinery Directive

The following standards have been applied to the product(s):

EN ISO 3691-5:2015 + A1:2020, EN ISO 12100:2010, EN 16307-5:2013

The technical documentation required to demonstrate that the product(s) meet(s) the requirement(s) of the aforementioned directive(s) has been compiled and is available for inspection by the relevant enforcement authorities.

The CE mark was first applied in: 2009

Product Description: 1 ½ Tonne High Lift Pallet Truck (Wide)
Model number(s): HLPT685
Serial / batch Number: N/A
Date of Issue: 02/12/2022

Signed:

J.A. Clarke
Director

A SELECTION FROM THE VAST RANGE OF

Clarke®

QUALITY PRODUCTS



AIR COMPRESSORS

From DIY to industrial, Plus air tools, spray guns and accessories.

GENERATORS

Prime duty or emergency standby for business, home and leisure.

POWER WASHERS

Hot and cold, electric and engine driven - we have what you need

WELDERS

Mig, Arc, Tig and Spot. From DIY to auto/industrial.

METALWORKING

Drills, grinders and saws for DIY and professional use.

WOODWORKING

Saws, sanders, lathes, mortisers and dust extraction.

HYDRAULICS

Cranes, body repair kits, transmission jacks for all types of workshop use.

WATER PUMPS

Submersible, electric and engine driven for DIY, agriculture and industry.

POWER TOOLS

Angle grinders, cordless drill sets, saws and sanders.

STARTERS/CHARGERS

All sizes for car and commercial use.

PARTS & SERVICE:

0208 988 7400

Parts Enquiries

Parts@clarkeinternational.com

Servicing & Technical Enquiries

Service@clarkeinternational.com

SALES: UK 01992 565333 or Export 00 44 (0)1992 565335

Clarke INTERNATIONAL Hemnall Street, Epping, Essex CM16 4LG
www.clarkeinternational.com